

Miniature Pressure Regulators

Regulators are offered in either relieving or non-relieving versions. The relieving design maintains a constant pressure output even when downstream conditions change.

The non-relieving regulator does not automatically compensate for changes in downstream flow or pressure. There is no vent to atmosphere, as in a relieving type regulator, and the output pressure can increase due to a downstream event.

Medium: Air

Materials: Brass body, Nitrile seals, stainless steel stem and spring

Air Flow: 3 scfm @ 50 psig; 5 scfm @ 100 psig

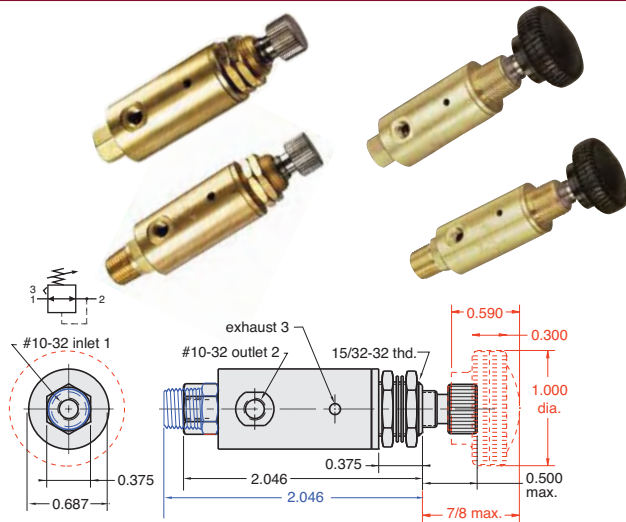
Input Pressure: 300 psig

Mounting: #15/32-32 thread. Nuts and lockwashers furnished

Adjustment: By means of a knob with micro-adjustment (40 pitch thd.)



Adjustable Pressure Regulators

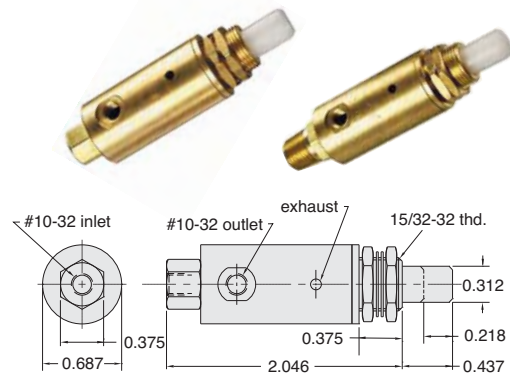


All **NEW** mounting configurations now available. See updated product specifications [here](#).

Range (psig)	#10-32	Knob	1/8" NPT	Non-Relieving
0-20	MAR-1-2	MAR-1K-2	MAR-1P-2	
0-30	MAR-1-3	MAR-1K-3	MAR-1P-3	MAR-1NR-3
0-40	MAR-1-4	MAR-1K-4	MAR-1P-4	MAR-1NR-4
0-50	MAR-1-5	MAR-1K-5	MAR-1P-5	MAR-1NR-5
0-60	MAR-1-6	MAR-1K-6	MAR-1P-6	MAR-1NR-6
0-70	MAR-1-7	MAR-1K-7	MAR-1P-7	MAR-1NR-7
0-100	MAR-1	MAR-1K	MAR-1P	MAR-1NR

Cartridge and manifold mount styles also available. Consult factory.

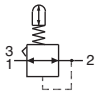
Plunger-Type Pressure Regulators



Plunger Travel: 7/32"

Force For Full Stem Travel: 25 lb. nominal

Operation: As plunger is depressed pressure increases proportionally to the travel; when plunger is released the input is closed and the output pressure is exhausted to atmosphere



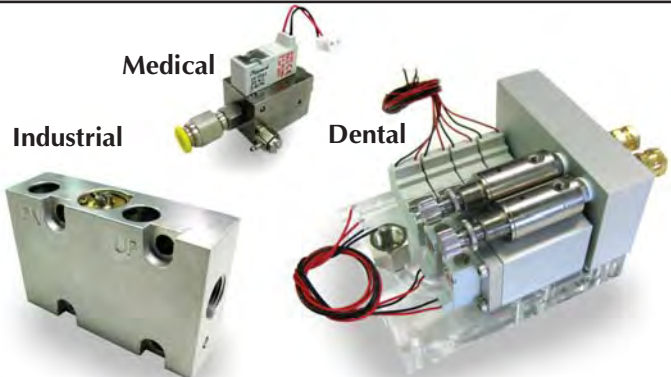
Range (psig)*	#10-32	1/8" NPT
0-20	MAR-1C-2	MAR-1CP-2
0-30	MAR-1C-3	MAR-1CP-3
0-40	MAR-1C-4	MAR-1CP-4
0-50	MAR-1C-5	MAR-1CP-5
0-60	MAR-1C-6	MAR-1CP-6
0-70	MAR-1C-7	MAR-1CP-7
0-100	MAR-1C	MAR-1CP

* Outlet pressure is based on 7/32" stem travel. If stem is depressed further, the outlet pressure will increase.

MAR Series Regulators

Special Configurations & Assemblies

- Robust
- Reliable
- Manifold Mount
- Pre-Assembled & Tested
- Compact
- Multiple Medias
- Cartridge Style
- Preset to Pressure



Metric line available. Visit www.clippard.com